

FIRE PUMP AND JOCKEY PUMP SCHEDULE (LOW ZONE)

SYMBOL	MANUFACTURE MODEL NO.	PUMP PRESSURE (P.S.I.)	G.P.M.	H.P.	VOLTAGE	R.P.M.	COMMENTS
1	AQUARIUS 655 PA	180	1,000	150	480 3 PHASE	3560	• 180 PSI MAX. SHUT-OFF PRESSURE • 125LB/250LB FLANGE
2	AQUARIUS 400	205	6.0	2	480 3 PHASE	3450	

FIRE PUMP AND JOCKEY PUMP CONTROLLER SCHEDULE (LOW ZONE)

SYMBOL	MANUFACTURE MODEL NO.	CONTROLLER TYPE	TRANSFER SWITCH MODEL NO.	BUILT-IN ALARM PANEL MODEL NO.	COMMENTS
1	ROBBERIDGE GRS-480/150/3	ROBBERIDGE REDUCED VOLTAGE SOFT START/STOP	(POWER FROM GENERATOR)	ELECTRONIC FIRE PUMP CONTROL/ALARM/DISARMOR PANEL	• PRESSURE RECORDER • 3 WIRE CONNECTIONS
2	AQUARIUS PPG 400 105-2	AQUARIUS PPG 400 105-2			• PRESSURE RECORDER • 3 WIRE CONNECTIONS

FIRE PUMP AND JOCKEY PUMP SCHEDULE (HIGH ZONE)

SYMBOL	MANUFACTURE MODEL NO.	PUMP PRESSURE (P.S.I.)	G.P.M.	H.P.	VOLTAGE	R.P.M.	COMMENTS
1	AQUARIUS 655 PA	180	1,000	150	480 3 PHASE	3560	• 180 PSI MAX. SHUT-OFF PRESSURE • 125LB/250LB FLANGE
2	AQUARIUS 400	205	6.0	2	480 3 PHASE	3450	

FIRE PUMP AND JOCKEY PUMP CONTROLLER SCHEDULE (HIGH ZONE)

SYMBOL	MANUFACTURE MODEL NO.	CONTROLLER TYPE	TRANSFER SWITCH MODEL NO.	BUILT-IN ALARM PANEL MODEL NO.	COMMENTS
1	ROBBERIDGE GRS-480/250/3	ROBBERIDGE REDUCED VOLTAGE SOFT START/STOP	(POWER FROM GENERATOR)	ELECTRONIC FIRE PUMP CONTROL/ALARM/DISARMOR PANEL	• PRESSURE RECORDER • 3 WIRE CONNECTIONS • 3 WIRE CONNECTIONS TO CONTROL LOG SET NOT TO BE USED
2	AQUARIUS PPG 400 105-3	AQUARIUS PPG 400 105-3			• PRESSURE RECORDER • 3 WIRE CONNECTIONS

* FIRE PUMP LEGEND *

- 6 x 6 x 8 Standard Cast Iron Reducing Tee (Working Pressure 175 PSI)
- 6" Standard Cast Iron 90° Ell. (Working Pressure 175 PSI)
- 6 x 6 x 6 Standard Cast Iron Tee (Working Pressure 175 PSI) 8Y-PHSS
- 6" OS&Y F x F (Working Pressure 175 PSI)
- 6" Suction
- Fabronks Model 1800 Horizontal Split Case Electric Fire Pump 6 x 5" 18228FC
- Fabronks Model 2800 Horizontal Split Case Electric Fire Pump 6 x 6" 62878AF
- 5" Discharge
- 6" Discharge
- 6 x 5" Cast Iron Eccentric Reducer (Class 350 PSI)
- 6" Cast Iron 90° Ell. (Working Pressure 350 PSI)
- 6" Low Suction Control Valve
- 6" Cast Iron 90° Ell. (Working Pressure 350 PSI)
- 6" Water Check Valve
- 6" Cast Iron Tee (Working Pressure 350 PSI) TEST HEADER
- 6" Cast Iron Tee (Working Pressure 350 PSI) TEST HEADER
- 6" Battery Control Valve with Tamper Switch (Class 350 PSI)
- 6" BY-PASS
- 6" Cast Iron Tee (Working Pressure 350 PSI)
- 8 x 6" Reducing Cast Iron 90° Ell. (Working Pressure 350 PSI)
- 6" Groove Tee Standard (Working Pressure 350 PSI)
- 6" Groove Tee Standard w/ Tamper Switch (Working Pressure 350 PSI)
- 6" Groove Check Valve (Working Pressure 350 PSI)
- 6" Supply for High Zone
- 6" Raw Water Working Pressure 350 PSI
- 6" Groove Standard 90° Elbow (Working Pressure 350 PSI)
- 6" Supply for Low Zone
- 6" Supply outlet for Low Zone Fire Department Connection.
- 6" Supply outlet for High Zone Fire Department Connection.
- Locations of Jockey Pump for High & Low Zone Fire Pumps.

NOTE:

- WHERE PRESSURES EXCEED 175 PSI, PROVIDE EXTRA HEAVY (EH) PATTERN VALVES AND FITTINGS.
- THE MATERIAL LIST SHOULD BE CONSIDERED AS A MINIMUM, AS ALL ITEMS MAY NOT BE INDICATED.
- WHERE PRESSURES EXCEED 300 PSI, USE VALVES AND DEVICES OF APPROPRIATE PRESSURE RATINGS, APPROVED FOR SUCH USE.

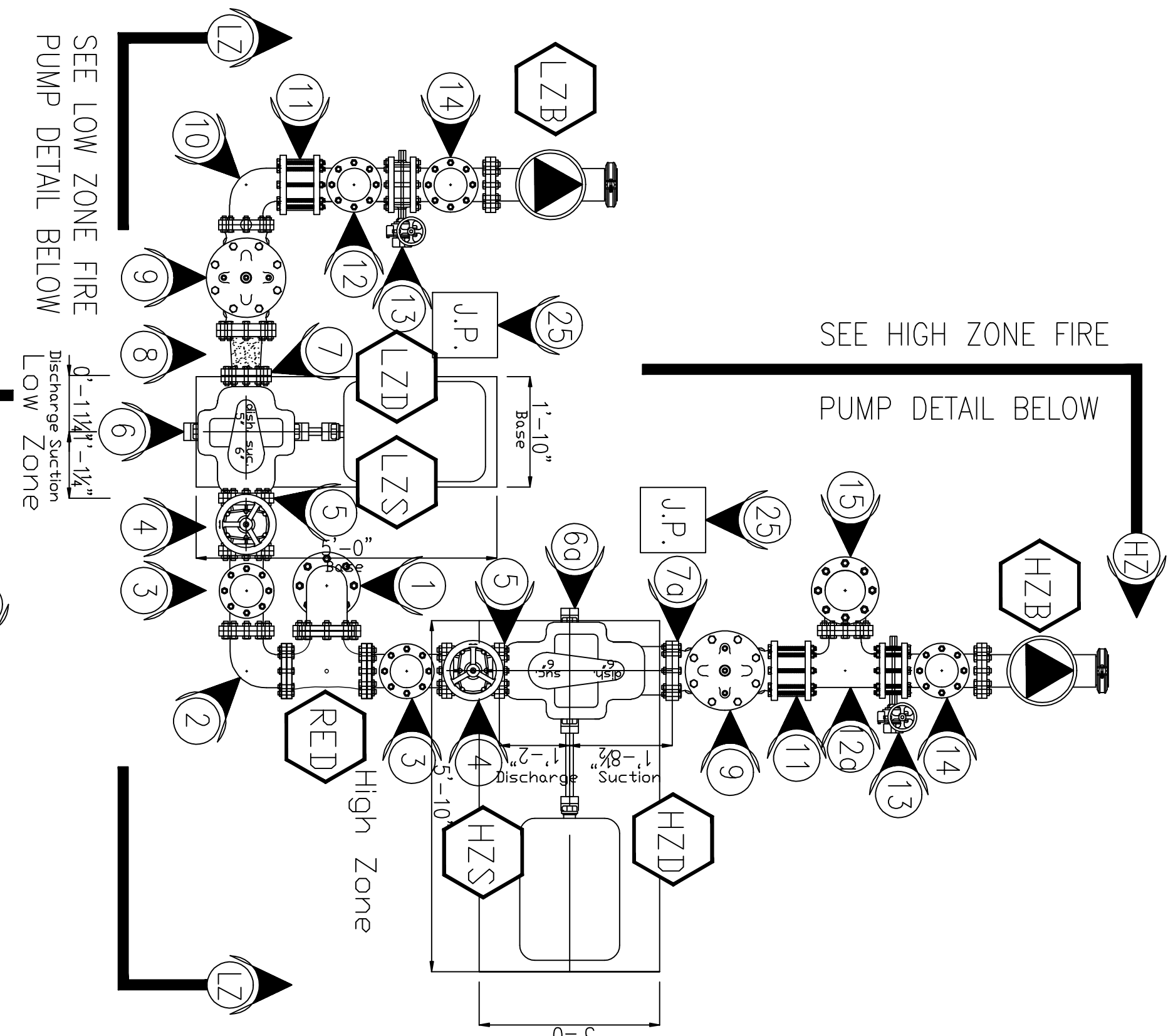
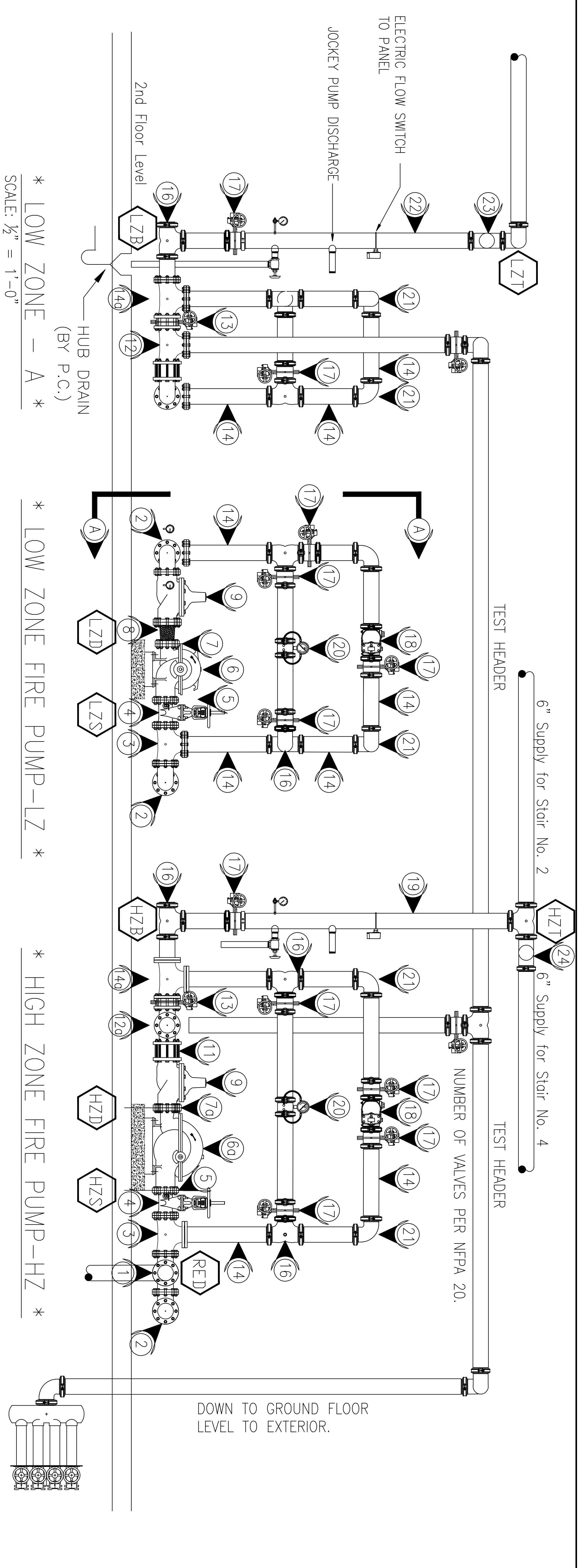
FIRE PUMP DESIGN CRITERIA

- THE SYSTEM IS DESIGNED TO COMPLY W/ NFPA 414 AS REFERENCED IN THE IBC AND THE NORTH CAROLINA BUILDING CODE.
- PROVIDE 125 PSI (P) AT THE OUTLET OF THE HYDRAULICALLY MOST REMOTE 2-1/2" HOSE CONNECTION.
- THE MAXIMUM PRESSURE AT ANY POINT IN THE SYSTEM AT ANY TIME SHALL NOT EXCEED 350 PSI.
- HYDRANT FLOW TEST: 108 PSI STATIC, 92 PSI RESIDUAL, FLOWING 1240 GPM, DATE: 8/31/07

SYMBOL	MANUFACTURE MODEL NO.	PUMP PRESSURE (P.S.I.)	G.P.M.	H.P.	VOLTAGE	R.P.M.	COMMENTS
1	AQUARIUS 655 PA	180	1,000	150	480 3 PHASE	3560	• 180 PSI MAX. SHUT-OFF PRESSURE • 125LB/250LB FLANGE
2	AQUARIUS 400	205	6.0	2	480 3 PHASE	3450	

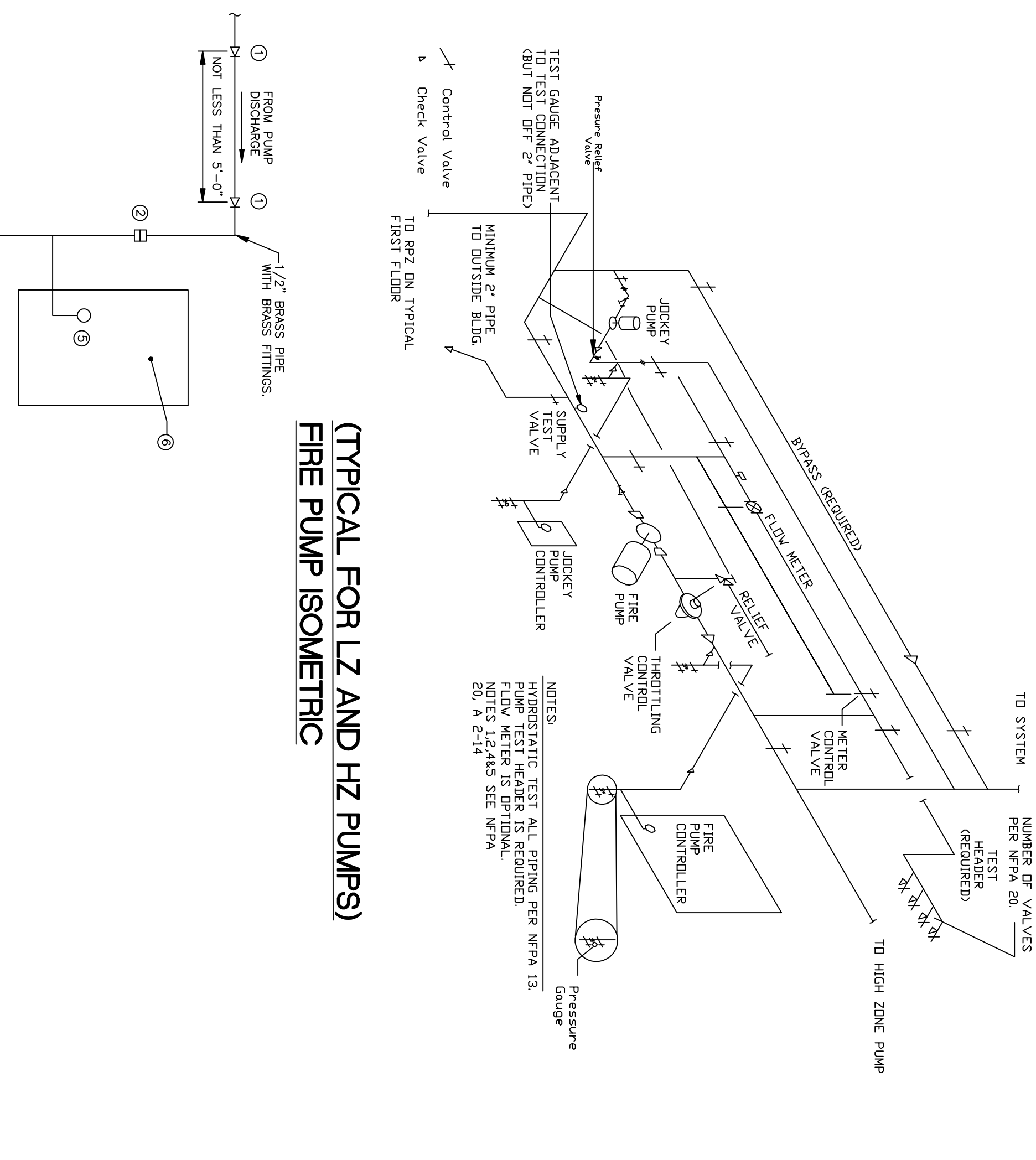
SYMBOL	MANUFACTURE MODEL NO.	PUMP PRESSURE (P.S.I.)	G.P.M.	H.P.	VOLTAGE	R.P.M.	COMMENTS
1	AQUARIUS 655 PA	180	1,000	150	480 3 PHASE	3560	• 180 PSI MAX. SHUT-OFF PRESSURE • 125LB/250LB FLANGE
2	AQUARIUS 400	205	6.0	2	480 3 PHASE	3450	

SYMBOL	MANUFACTURE MODEL NO.	PUMP PRESSURE (P.S.I.)	G.P.M.	H.P.	VOLTAGE	R.P.M.	COMMENTS
1	AQUARIUS 655 PA	180	1,000	150	480 3 PHASE	3560	• 180 PSI MAX. SHUT-OFF PRESSURE • 125LB/250LB FLANGE
2	AQUARIUS 400	205	6.0	2	480 3 PHASE	3450	

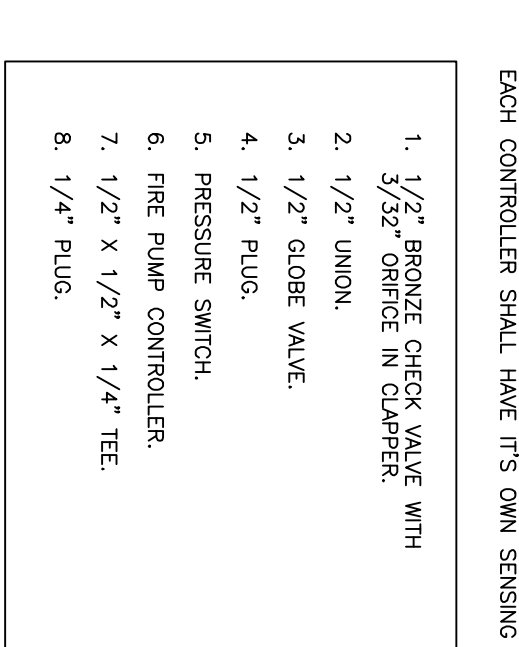


* FIRE PUMP TOP VIEW *

SCALE: 1/2" = 1'-0"



AUTOMATIC PRESSURE SWITCH PIPING DETAIL



Note:

Fire Pump design and installation shall comply with N.F.P.A. #20, 2007 Edition.

Contractor Seal

Contractor: **ABP** Fire Protection, LLC

300 Hoke Street
Raleigh, NC 27601-2637

300 Hoke Street
Raleigh, NC 27601-2637

Project: 4501 Creedmoor Road
Raleigh, North Carolina

DATE: 12-3-2007
SCALE: 1/8" = 1'-0"

SHEET # PP-6